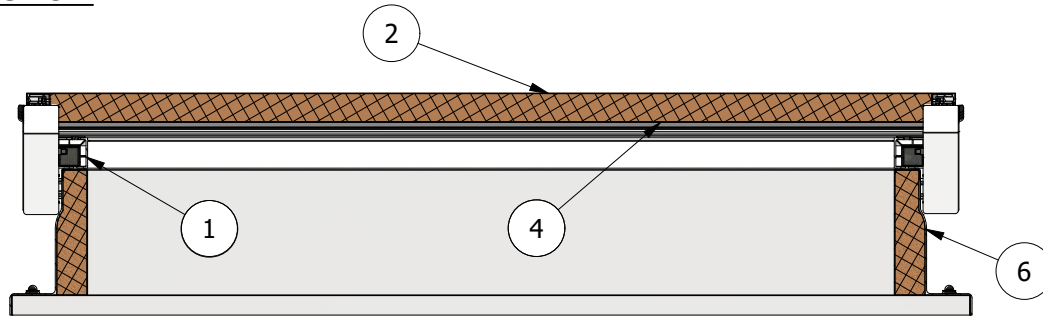
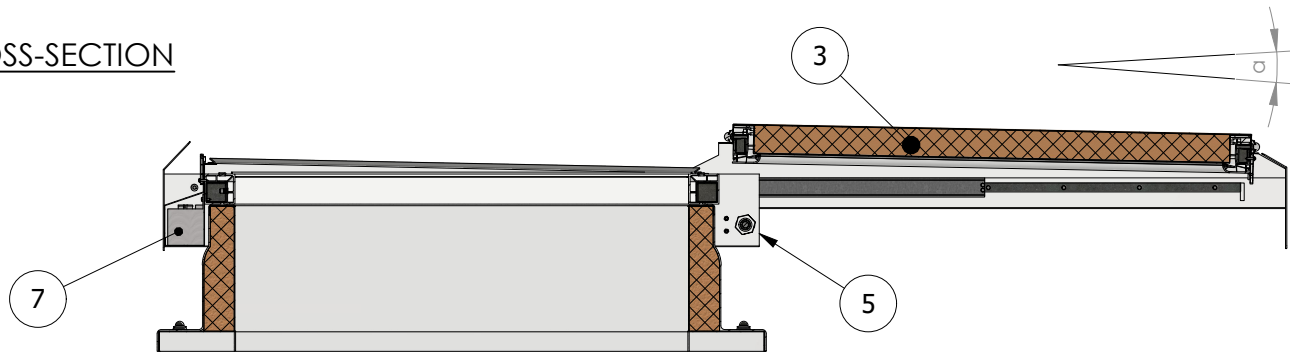


LONGITUDINAL-SECTION



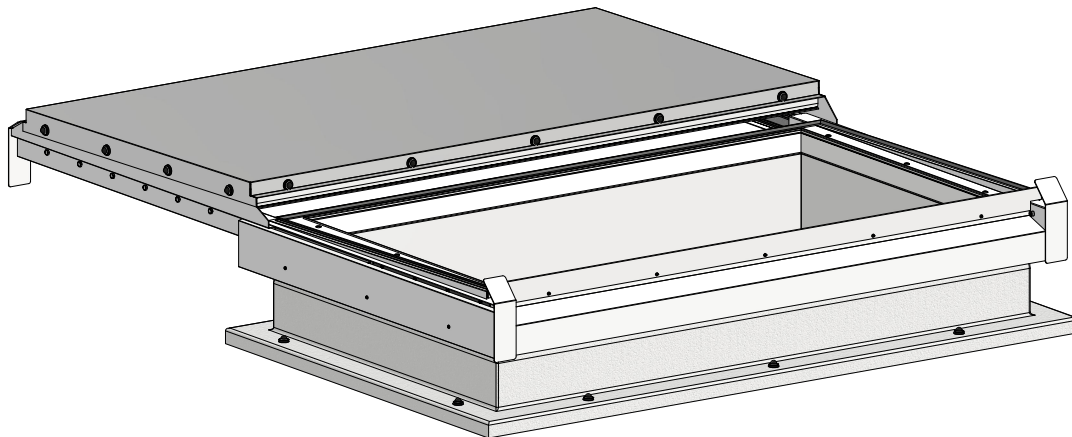
CROSS-SECTION



SPECIFICATIONS

1. INTERNAL FRAMES IN WHITE PVC
2. EXTERNAL COVER IN MILL FINISH ALUMINIUM
(OPTIONAL PAINTING, OTHER FINISHING
OR MATERIALS AVAILABLE)
3. EXPANDED POLYURETHANE 6 cm THICKNESS
(DIFFERENT THICKNESS OR MATERIALS AVAILABLE)
4. INTERNAL LAYER IN PRE-PAINTED STEEL (OTHER
MATERIALS, COLORS OR FINISHING AVAILABLE)
5. EXTERNAL WHITE POWDER COATED METAL
PROFILES (OTHER RAL COLORS AVAILABLE)
6. UPSTAND (CAN BE DONE BY OTHERS
ACCORDING TO TELFORM'S SPECIFICATIONS)
7. ACTUATOR - 24 V DC FOR SMOKE VENTILATION

L = LUNGHEZZA APERTURA (MAX 250 cm PER EVACUAZIONE FUMI)
 W = LARGHEZZA APERTURA (MAX 130 cm PER EVACUAZIONE FUMI)
 H = ALTEZZA BASAMENTO (MIN 25 cm PER EVACUAZIONE FUMI)
 α = CIRCA 2 cm DI PENDENZA PER DEFLUSSO ACQUE



TELFORM

TELFORM NEW GENERATION srl

Via delle Mammole 22 - 70026 Modugno (BA - ITALY)
 TEL +39 080 5375656 FAX +39 080 5375098
 E-MAIL info@telform.it WEB www.telform.it

VITAL DOME S ELECTRIC FLAT

Scale	Format	Description:
1 : 15	ISO A4	SLIDING DARK COVER

This drawing is the property of Telform NG srl and incorporates information which is proprietary. Publication and/or public distribution in whole or in part is expressly prohibited without the prior written consent of Telform NG srl. The information contained herein remains the property of Telform NG srl. All rights reserved.