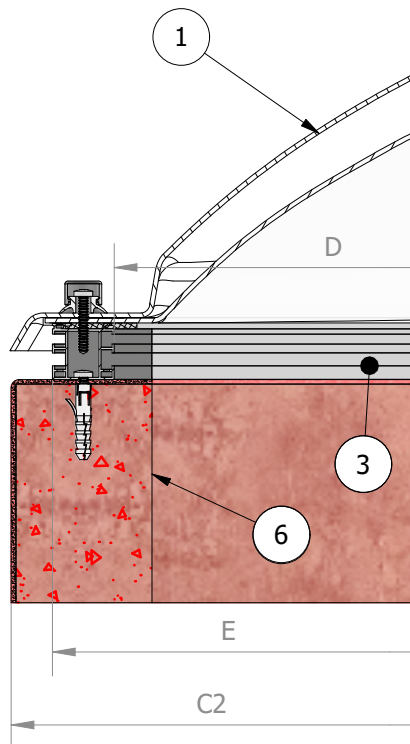
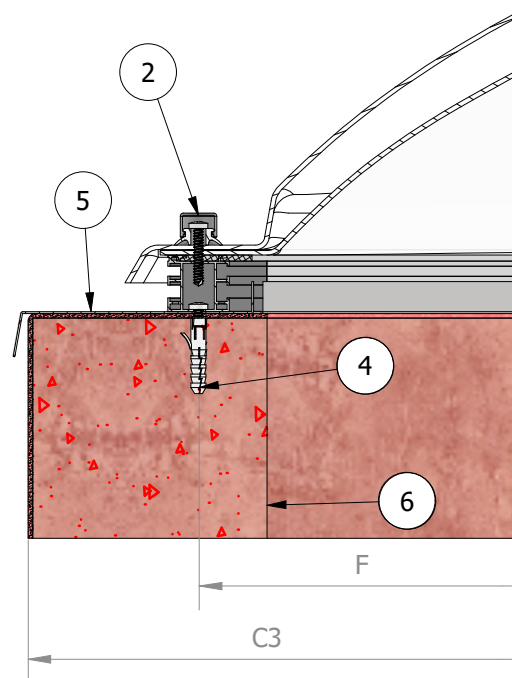


FIXED ON  
EXISTING  
CURB/UPSTAND



WITH FIXED FRAME  
(OPTIONAL)



WITH FIXED FRAME  
PLUS FLASHING  
(OPTIONAL)

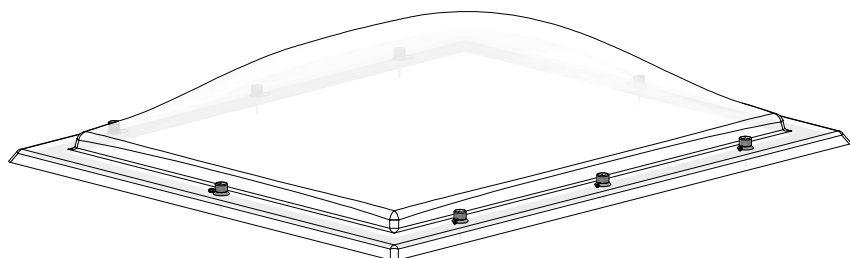
## SPECIFICATIONS

1. THERMOFORMED DOME MADE OF SINGLE/DOUBLE/TRIPLE LAYER PLASTIC (ACRYLIC OR POLYCARBONATE)
2. FIXING SCREW WITH SCREW-CAP (ALUMINIUM FIXING CLAMP VERSION AVAILABLE)
3. FIXED FRAME IN ALUMINIUM - MILL FINISH (RAL COLORS PAINTING AVAILABLE)
4. FIXING SCREW
5. ALUMINIUM FLASHING - MILL FINISH (RAL COLORS PAINTING AVAILABLE)
6. EXISTING CURB OR UPSTAND

Please note: Every item painted RED in this technical sheet must be considered pre-existing or at the expense of the customer.

## PARAMETERS

- A = DAYLIGHT OPENING
- B = MAX SUPPORT DIMENSION [A + 15 cm]
- C = OVERALL CURB SIZE: UP TO [A + 13 ÷ 15 cm] DIRECT INSTALLATION
- C2 = OVERALL CURB SIZE: UP TO [A + 20 cm] FIXED SUPPORTING FRAME NEEDED
- C3 = OVERALL CURB SIZE: UP TO [A + 40 cm] FIXED SUPPORTING FRAME PLUS FLASHING NEEDED
- D = FRAME INTERNAL SIZE [A + 5 cm]
- E = FRAME EXTERNAL SIZE [A + 13 cm]
- F = CENTER TO CENTER FASTENING DISTANCE [A + 9 cm]
- G = OVERALL DIMENSION [A + 20 cm]



**TELFORM**

TELFORM NEW GENERATION srl

Via delle Mammole 22 - 70026 Modugno (BA - ITALY)  
TEL +39 080 5375656 FAX +39 080 5375098  
E-MAIL info@telform.it WEB www.telform.it

FIXED SKYLIGHT

Scale	Format	Description:
1 : 5	ISO A4	SCREW-FIXING

This drawing is the property of Telform NG srl and incorporates information which is proprietary. Publication and/or public distribution in whole or in part is expressly prohibited without the prior written consent of Telform NG srl. The information contained herein remains the property of Telform NG srl. All rights reserved.