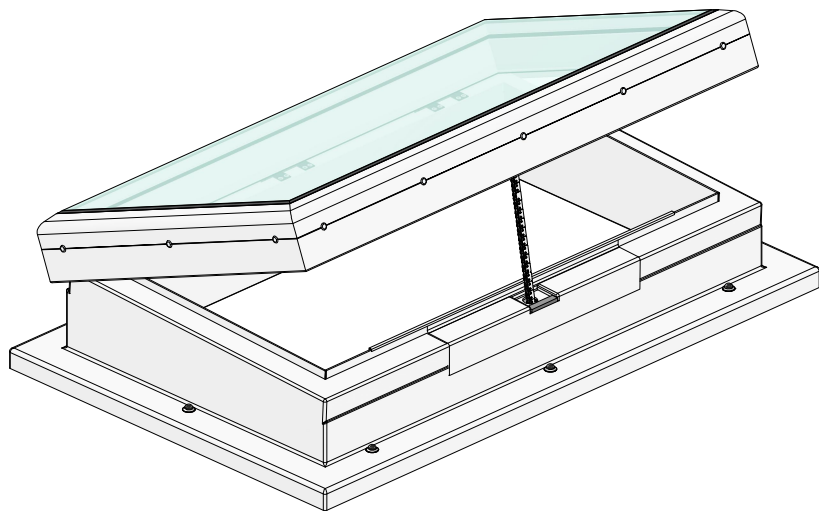


## SPECIFICATIONS

1. INTERNAL FRAME IN WHITE PVC
2. TOUGHENED GLASS
3. LAMINATED LOW-E GLASS
4. STRUCTURAL SEAL
5. EXTERNAL FRAME IN WHITE POWDER COATED ALUMINIUM (OTHER RAL COLORS AVAILABLE)
6. EXPANDED POLYURETHANE INSULATING PANEL (STANDARD THICKNESS 60 mm, BESPOKE THICKNESS AVAILABLE)
7. EXISTING CURB
8. INTEGRATED 230 V AC CHAIN MOTOR (24 V DC VERSION AVAILABLE)
9. STAINLESS STEEL HINGE



**PLEASE NOTE:** FLATLIGHT should be installed with a slope between 3° and 30° in order to avoid water pooling on the glass lid. All the upstands by TELFORM already include a standard 3° slope. Different pitch is available upon request.

Every item painted RED in this technical sheet must be considered pre-existing or at the expense of the customer.