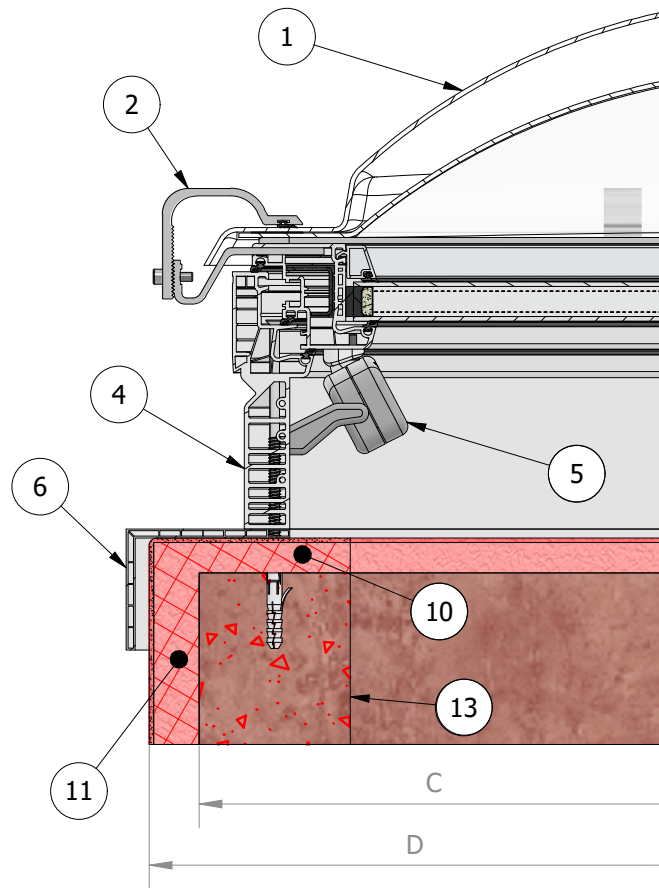
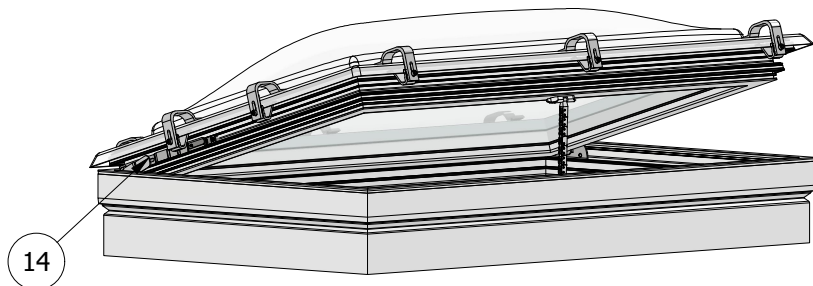


ON FLAT ROOF
WITH WATERPROOFING



ON CURB
WITH CURB-COVER



14

PARAMETERS

- A = DAYLIGHT OPENING
- B = FRME INTERNAL SIZE [A + 8 cm]
- C = OVERALL CURB SIZE: MIN [A + 15 cm]
- D = OVERALL CURB SIZE INCLUDING INSULATION AND WATERPROOFING: MAX [A + 34 cm]
- E = CENTER TO CENTER FASTENING DISTANCE [A + 10 cm]

SPECIFICATIONS

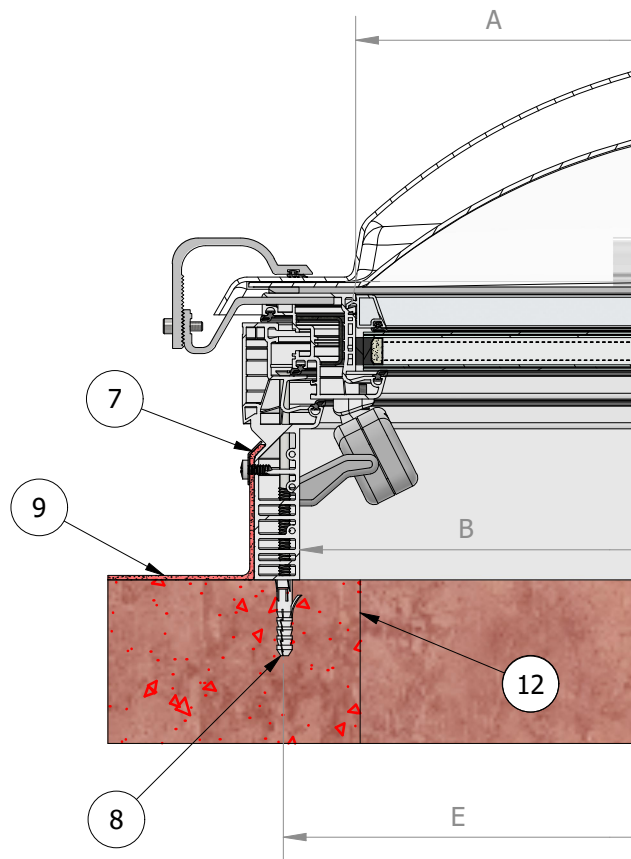
1. THERMOFORMED DOME MADE OF 2-LAYER PLASTIC (ACRYLIC OR POLYCARBONATE)
2. ALUMINIUM FIXING CLAMP - MILL FINISH (SCREW-FIXING VERSION AVAILABLE)
3. FLAT PANEL MADE OF 2-LAYER POLYCARBONATE (ASSEMBLED LIKE GLASS)
4. SUPPORTING FRAME IN WHITE PVC
5. CHAIN ACTUATOR 230 V AC
6. CURB-COVER IN WHITE PVC
7. WATERPROOFING BLOCKING PROFILE IN ALUMINIUM
8. FIXING SCREW
9. WATERPROOFING MEMBRANE
10. HORIZONTAL INSULATION (MAX 2 cm)
11. VERTICAL INSULATION
12. FLAT ROOF
13. EXISTING CURB
14. HIDDEN STAINLESS STEEL HINGES

Please note: Every item painted RED in this technical sheet must be considered pre-existing or at the expense of the customer.

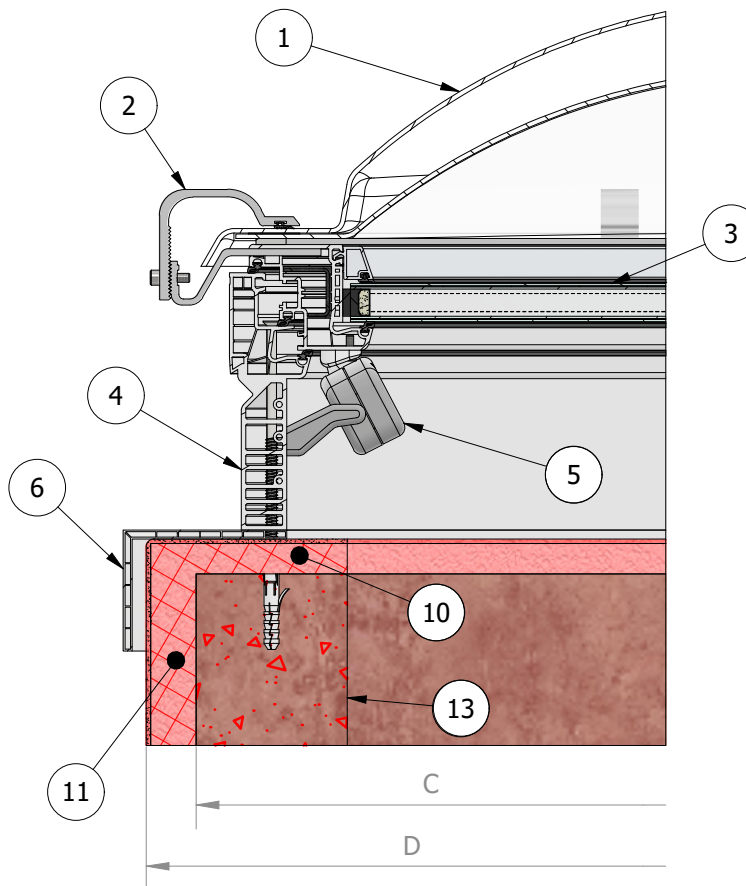


TELFORM
TELFORM NEW GENERATION srl
 Via delle Mammole 22 - 70026 Modugno (BA - ITALY)
 TEL +39 080 5375656 FAX +39 080 5375098
 E-MAIL info@telform.it WEB www.telform.it

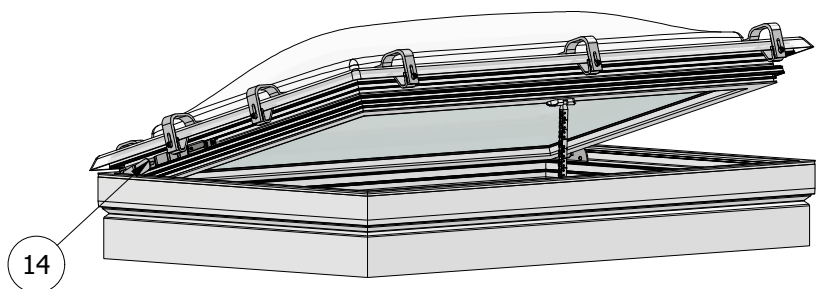
ELECTRIC A-DOME		
Scale 1 : 5	Format ISO A4	Description:
<small>This drawing is the property of Telform NG srl and incorporates information which is proprietary. Publication and/or public distribution in whole or in part is expressly prohibited without the prior written consent of Telform NG srl. The information contained herein remains the property of Telform NG srl. All rights reserved.</small>		



ON FLAT ROOF
WITH WATERPROOFING



ON CURB
WITH CURB-COVER



SPECIFICATIONS

1. THERMOFORMED DOME MADE OF 2-LAYER PLASTIC (ACRYLIC OR POLYCARBONATE)
2. ALUMINIUM FIXING CLAMP - MILL FINISH (SCREW-FIXING VERSION AVAILABLE)
3. LOW-E SECURITY GLASS
4. SUPPORTING FRAME IN WHITE PVC
5. CHAIN ACTUATOR 230 V AC
6. CURB-COVER IN WHITE PVC
7. WATERPROOFING BLOCKING PROFILE IN ALUMINIUM
8. FIXING SCREW
9. WATERPROOFING MEMBRANE
10. HORIZONTAL INSULATION (MAX 2 cm)
11. VERTICAL INSULATION
12. FLAT ROOF
13. EXISTING CURB
14. HIDDEN STAINLESS STEEL HINGES

Please note: Every item painted RED in this technical sheet must be considered pre-existing or at the expense of the customer.

PARAMETERS

- A = DAYLIGHT OPENING
 B = FRME INTERNAL SIZE [A + 8 cm]
 C = OVERALL CURB SIZE: MIN [A + 15 cm]
 D = OVERALL CURB SIZE INCLUDING INSULATION AND WATERPROOFING: MAX [A + 34 cm]
 E = CENTER TO CENTER FASTENING DISTANCE [A + 10 cm]



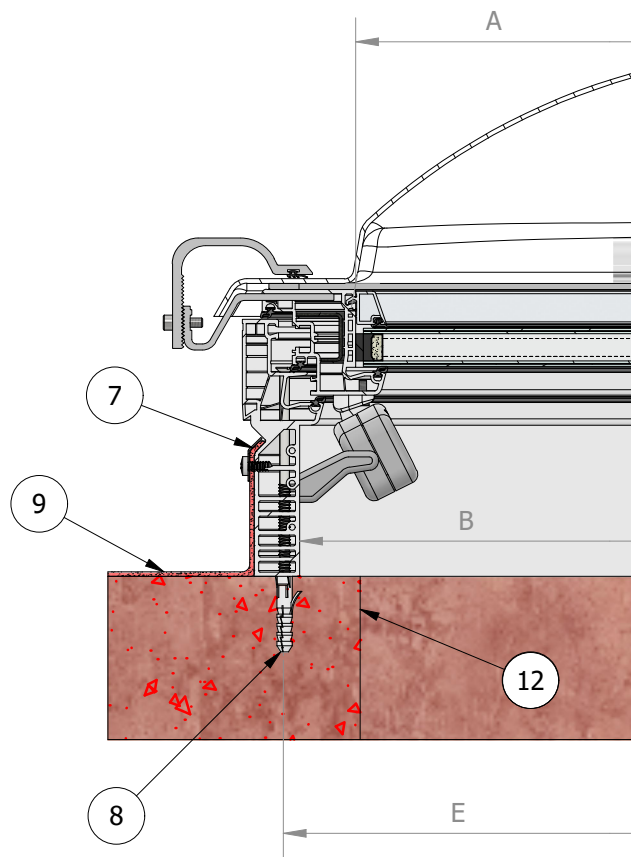
TELFORM

TELFORM NEW GENERATION srl
 Via delle Mammole 22 - 70026 Modugno (BA - ITALY)
 TEL +39 080 5375656 FAX +39 080 5375098
 E-MAIL info@telform.it WEB www.telform.it

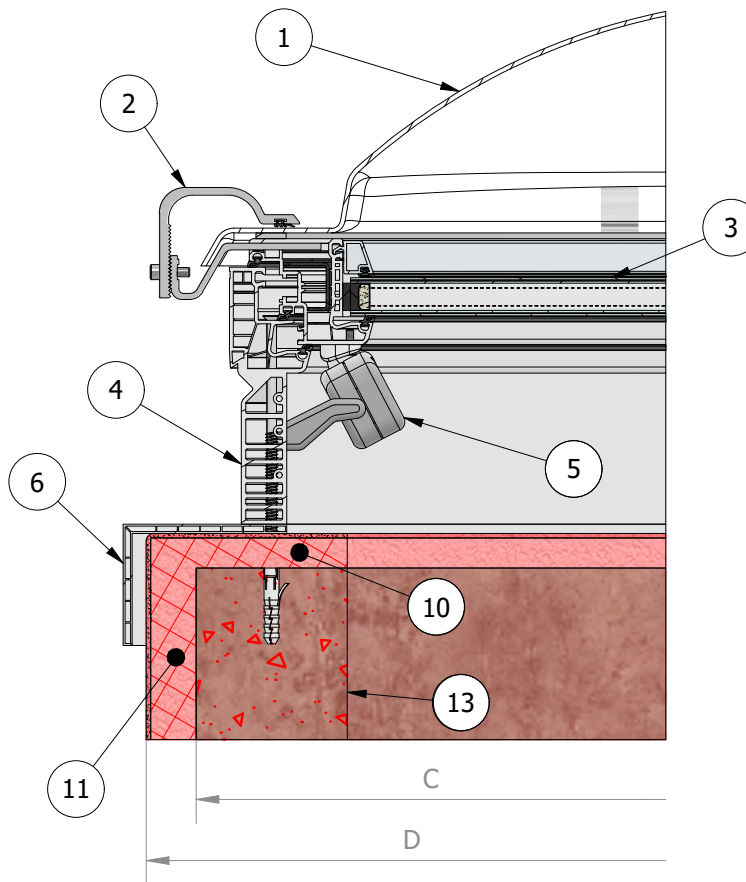
ELECTRIC A-DOME PLUS

Scale	Format	Description:
1 : 5	ISO A4	

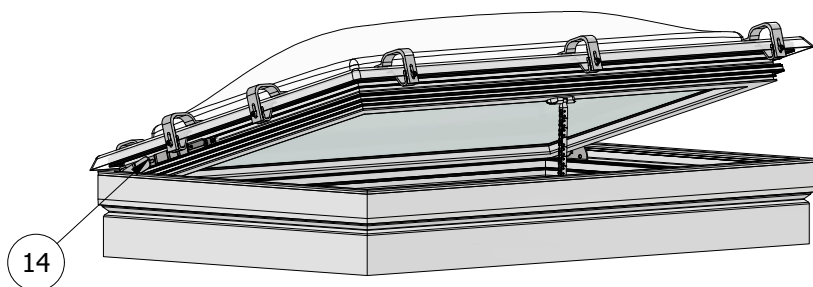
This drawing is the property of Telform NG srl and incorporates information which is proprietary. Publication and/or public distribution in whole or in part is expressly prohibited without the prior written consent of Telform NG srl. The information contained herein remains the property of Telform NG srl. All rights reserved.



ON FLAT ROOF
WITH WATERPROOFING



ON CURB
WITH CURB-COVER



SPECIFICATIONS

1. THERMOFORMED DOME MADE OF 1-LAYER PLASTIC (ACRYLIC OR POLYCARBONATE)
2. ALUMINIUM FIXING CLAMP - MILL FINISH (SCREW-FIXING VERSION AVAILABLE)
3. LOW-E SECURITY GLASS
4. SUPPORTING FRAME IN WHITE PVC
5. CHAIN ACTUATOR 230 V AC
6. CURB-COVER IN WHITE PVC
7. WATERPROOFING BLOCKING PROFILE IN ALUMINIUM
8. FIXING SCREW
9. WATERPROOFING MEMBRANE
10. HORIZONTAL INSULATION (MAX 2 cm)
11. VERTICAL INSULATION
12. FLAT ROOF
13. EXISTING CURB
14. HIDDEN STAINLESS STEEL HINGES

Please note: Every item painted RED in this technical sheet must be considered pre-existing or at the expense of the customer.

PARAMETERS

- A = DAYLIGHT OPENING
 B = FRME INTERNAL SIZE [A + 8 cm]
 C = OVERALL CURB SIZE: MIN [A + 15 cm]
 D = OVERALL CURB SIZE INCLUDING INSULATION AND WATERPROOFING: MAX [A + 34 cm]
 E = CENTER TO CENTER FASTENING DISTANCE [A + 10 cm]



TELFORM

TELFORM NEW GENERATION srl

Via delle Mammole 22 - 70026 Modugno (BA - ITALY)
 TEL +39 080 5375656 FAX +39 080 5375098
 E-MAIL info@telform.it WEB www.telform.it

ELECTRIC A-DOME PLUS 3

Scale	Format	Description:
1 : 5	ISO A4	

This drawing is the property of Telform NG srl and incorporates information which is proprietary. Publication and/or public distribution in whole or in part is expressly prohibited without the prior written consent of Telform NG srl. The information contained herein remains the property of Telform NG srl. All rights reserved.